



SQB 45° Metal Thread Connectors



SQB connectors are manufactured using special grade polyamide material which offers high impact strength. Metal threads offer extremely high connection strength ensuring safety & reliability.

Characteristics :

- Colour : Black
- Self Extinguishing
- Free from Halogens, Cadmium, Sulphur & Phosphorous
- Highly Resistant to Solvents, Oils, Greases & Diluted Bases

Applications



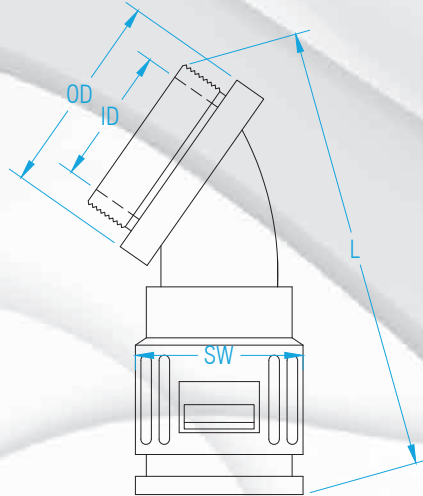
Rail Vehicles (External Applications)



Earth Moving Equipment

PROPERTY	VALUE	CLASS	TEST METHOD
THERMAL PROPERTIES			
Operating Temp Range	-40°C to +105°C		IEC 61386-1
Short Term Temp	Up to +160°C		
MECHANICAL PROPERTIES			
Tensile E-Modulus (Dry/Cond)	3700 Mpa / 1200 Mpa		ISO 527
Tensile Strength (Dry/Cond)	75 Mpa / 45 Mpa		ISO 527
Charpy Notched Impact Strength (Dry/Cond)	7 KJ/m2 / 12 KJ/m2		ISO 179/1eA
Charpy Impact Strength	23°C (No Break)		ISO 179/1Eu
Ingress Protection Class	IP68**/ IP67		(EN 60529)
(** With O-ring & Washer installed)			
System Pullout Resistance (with MVEPL conduit)	> 500 N (Class 3)		IEC 61386-1
FIRE PROPERTIES			
Flammability Class	V-0		UL 94
Glow Wire Index	960°C		IEC 695-2/12
Limiting Oxygen Index	> 30 %		ISO 4589
Self Extinguishing Class	I3		NF F 16-101/102
Smoke Emission Class	F2		NF F 16-101/102

SQB 45° Metal Thread Connectors



Part No	Thread Size	Fits to NW	ID (mm)	OD (mm)	T (mm)	L (mm)	SW	Wt (gms)
SQB-M12B07	M12 x 1.5	7	6	24	10	55	14	14
SQB-M16B10	M16 x 1.5	10	10	26	10	57	18	19
SQB-M16B12	M16 x 1.5	12	10	26	10	61	20	20
SQB-M20B12	M20 x 1.5	12	14	33	10	61	20	27
SQB-M20B17	M20 x 1.5	17	14	33	10	74	27	31
SQB-M25B23	M25 x 1.5	23	18	39	11	86	34	44
SQB-M32B23	M32 x 1.5	23	25	44	13	86	34	58
SQB-M32B29	M32 x 1.5	29	25	44	13	102	40	61
SQB-M40B29	M40 x 1.5	29	31	55	13	102	40	94
SQB-M40B36	M40 x 1.5	36	31	55	13	114	48	99
SQB-M50B36	M50 x 1.5	36	40	67	14	114	48	139
SQB-M50B48	M50 x 1.5	48	40	67	14	127	53	145
SQB-M63B48	M63 x 1.5	48	51	75	14	127	53	170

Part No	Thread Size	Fits to NW	ID (mm)	OD (mm)	T (mm)	L (mm)	SW	Wt (gms)
SQB-P09B10	09	10	10.0	26	12	57	18	18
SQB-P11B12	11	12	13.0	29	12	60	20	23
SQB-P13B17	13.5	17	15.0	31	13	60	27	29
SQB-P16B17	16	17	16.0	34	13	74	27	34
SQB-P21B23	21	23	22.0	40	14	86	34	48
SQB-P29B29	29	29	29.0	52	14	100	39	91
SQB-P36B36	36	36	37.0	63	17	112	48	138
SQB-P48B48	48	48	49.0	73	17	125	60	165