



SQG Straight Metal Thread Connectors



SQG connectors are manufactured using special grade polyamide material which offers high impact strength. Metal threads offer extremely high connection strength ensuring safety & reliability.

Characteristics :

- Colour : Black
- Self Extinguishing
- Free from Halogens, Cadmium, Sulphur & Phosphorous
- Highly Resistant to Solvents, Oils, Greases & Diluted Bases

Applications



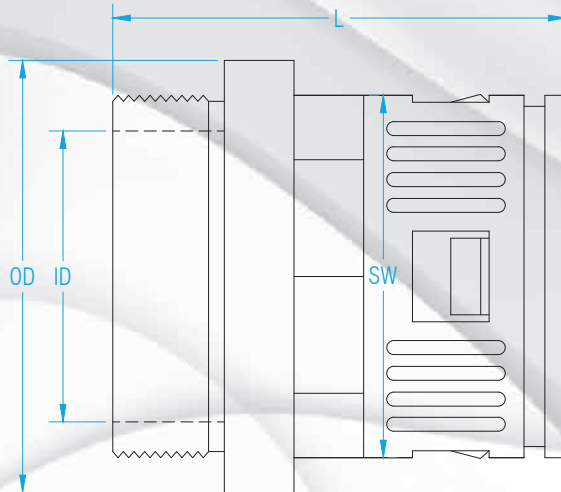
Rail Vehicles (External Applications)



Earth Moving Equipments

PROPERTY	VALUE	CLASS	TEST METHOD
THERMAL PROPERTIES			
Operating Temp Range	-40°C to +105°C		IEC 61386-1
Short Term Temp	Up to +160°C		
MECHANICAL PROPERTIES			
Tensile E-Modulus (Dry/Cond)	3700 Mpa / 1200 Mpa		ISO 527
Tensile Strength (Dry/Cond)	75 Mpa / 45 Mpa		ISO 527
Charpy Notched Impact Strength (Dry/Cond)	7 KJ/m2 / 12 KJ/m2		ISO 179/1eA
Charpy Impact Strength	23°C (No Break)		ISO 179/1Eu
Ingress Protection Class	IP68**/ IP67		(EN 60529)
(** With O-ring & Washer installed)			
System Pullout Resistance (with MVEPL conduit)	> 500 N (Class 3)		IEC 61386-1
FIRE PROPERTIES			
Flammability Class	V-0		UL 94
Glow Wire Index	960°C		IEC 695-2/12
Limiting Oxygen Index	> 30 %		ISO 4589
Self Extinguishing Class	I3		NF F 16-101/102
Smoke Emission Class	F2		NF F 16-101/102

SQG Straight Metal Thread Connectors



Part No	Thread Size	Fits to NW	ID (mm)	OD (mm)	T (mm)	L (mm)	SW	Wt (gms)
SQG-M12B07	M12 x 1.5	7	6	24	10	37	14	14
SQG-M16B10	M16 x 1.5	10	10	26	10	40	18	18
SQG-M16B12	M16 x 1.5	12	10	26	10	44	20	19
SQG-M20B12	M20 x 1.5	12	14	33	10	44	20	26
SQG-M20B17	M20 x 1.5	17	14	33	10	48	27	29
SQG-M25B23	M25 x 1.5	23	18	39	11	54	34	42
SQG-M32B23	M32 x 1.5	23	25	44	13	57	34	55
SQG-M32B29	M32 x 1.5	29	25	44	13	57	40	58
SQG-M40B29	M40 x 1.5	29	31	55	13	60	40	90
SQG-M40B36	M40 x 1.5	36	31	55	13	60	48	95
SQG-M50B36	M50 x 1.5	36	40	67	14	63	48	134
SQG-M50B48	M50 x 1.5	48	40	67	14	63	53	140
SQG-M63B48	M63 x 1.5	48	51	75	14	66	53	165

Part No	Thread Size	Fits to NW	ID (mm)	OD (mm)	T (mm)	L (mm)	SW	Wt (gms)
SQG-P09B10	09	10	10.0	26	12	43	18	17
SQG-P11B12	11	12	13.0	29	12	45	20	22
SQG-P13B17	13.5	17	15.0	31	13	52	27	27
SQG-P16B17	16	17	16.0	34	13	52	27	31
SQG-P21B23	21	23	22.0	40	14	58	34	45
SQG-P29B29	29	29	29.0	52	14	62	39	87
SQG-P36B36	36	36	37.0	63	17	67	48	134
SQG-P48B48	48	48	49.0	73	17	68	60	160